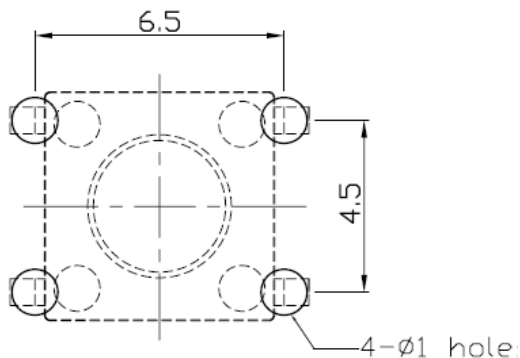
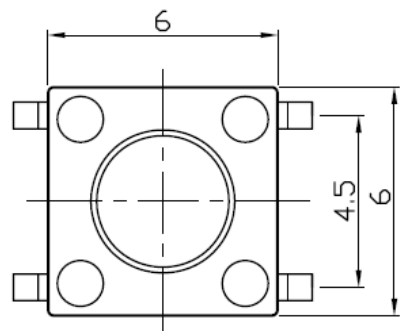


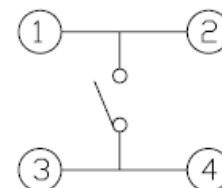
P.C.B MOUNTING PATTERN DIMENSION  
The following soldering patterns are recommended for reflow soldering



**NOTES**

1. RATINGS : 50mA, DC 12V
2. CIRCUIT : 1C – 1P
3. OPERATING FORCE : a.100±30gf=(K)  
b.160±30gf=(N)  
c.260±50gf=(R)
4. CONTACT RESISTANCE : 100mΩ Max.
5. TRAVEL : 0.25±0.1 mm
6. LIFE : 100,000 Cycles Min.
7. KNOB COLOR : a.BLACK=( )  
b. RED=(R)

**CIRCUIT DIAGRAM**



TS01-R	15.0	3.0
TS01-Q	18.0	3.0
TS01-P	16.3	3.0
TS01-O	12.0	3.0
TS01-N	6.5	3.4
TS01-M	13.0	3.0
TS01-L	7.5	3.4
TS01-K	11	3.0
TS01-J	8.0	3.4
TS01-I	6.0	3.4
TS01-H	17.0	3.0
TS01-G	12.5	3.0
TS01-F	13.5	3.0

5	Cover	Brass	C2680	1	TS01-E	9.5	3.4
4	Stem	PolyAmide	PA6T	1	TS01-D	7.3	3.4
3	Contact	Phosphor Bronze	C5210	1	TS01-C	7.0	3.4
2	Case	PolyAmide	PA6T	1	TS01-B	5.0	3.5
1	Terminal	Brass	C2680	1	TS01-A	4.3	3.5
NO	Parts	Material	Specificati	Q,TY	NO.	H	ØA


 銓基電子股份有限公司  
 ROKI ELECTRONICS CO., LTD.

PART NAME : TACT SWITCH

SCALE :

PART NO : TS01-□□-S-PF

UNIT : mm

TOLERANCE : ±0.3 mm



VER : R04